



CZESTOCHOWA UNIVERSITY OF TECHNOLOGY



www.pcz.pl

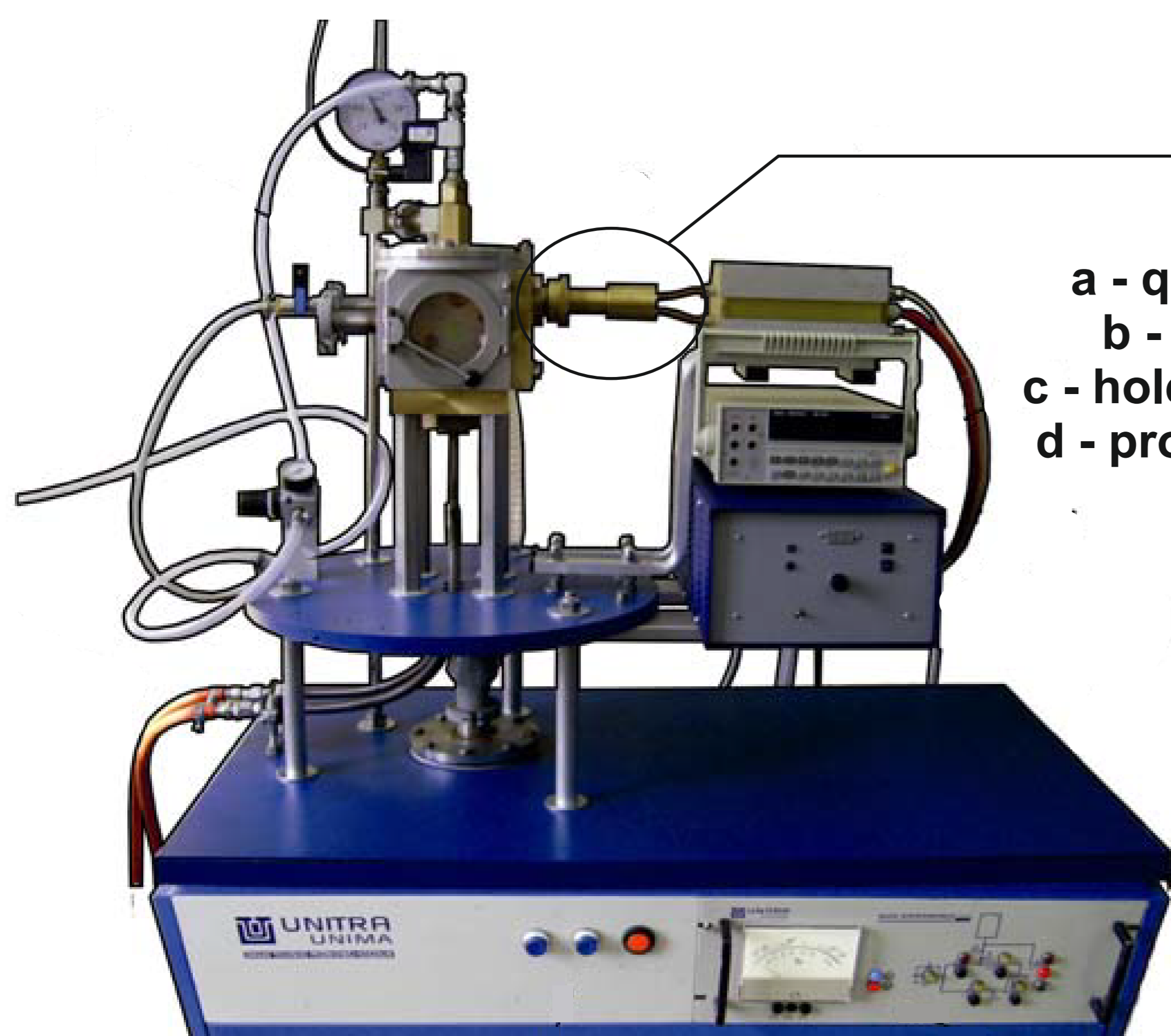
CZESTOCHOWA UNIVERSITY OF TECHNOLOGY

M. NABIAŁEK, P. PIETRUSIEWICZ, B. BŁOCH, J. GONDRO, K JEŻ, B JEŻ

A unit for adjusting location of the induction furnace heating element

The induction furnace heating element adjustment unit has a sealing member (4) mounted on the cylindrical holder (1) of the heating element and has an adjustment-locking nut (5) placed on the threaded end of the cylindrical handle (1) for blocking its position in the chamber opening an induction furnace, wherein the sealing member (4) forms a flanged outer sleeve (6) with an external thread (7), removably secured and sealed by a sealing element to the wall of the induction furnace, inside which the inner sleeve (8) and sealing elements (9) are arranged) on both sides of it, and from the side of the adjusting and locking nut (5) there is a pressure ring (10), threadedly connected with a flanged outer sleeve (6).

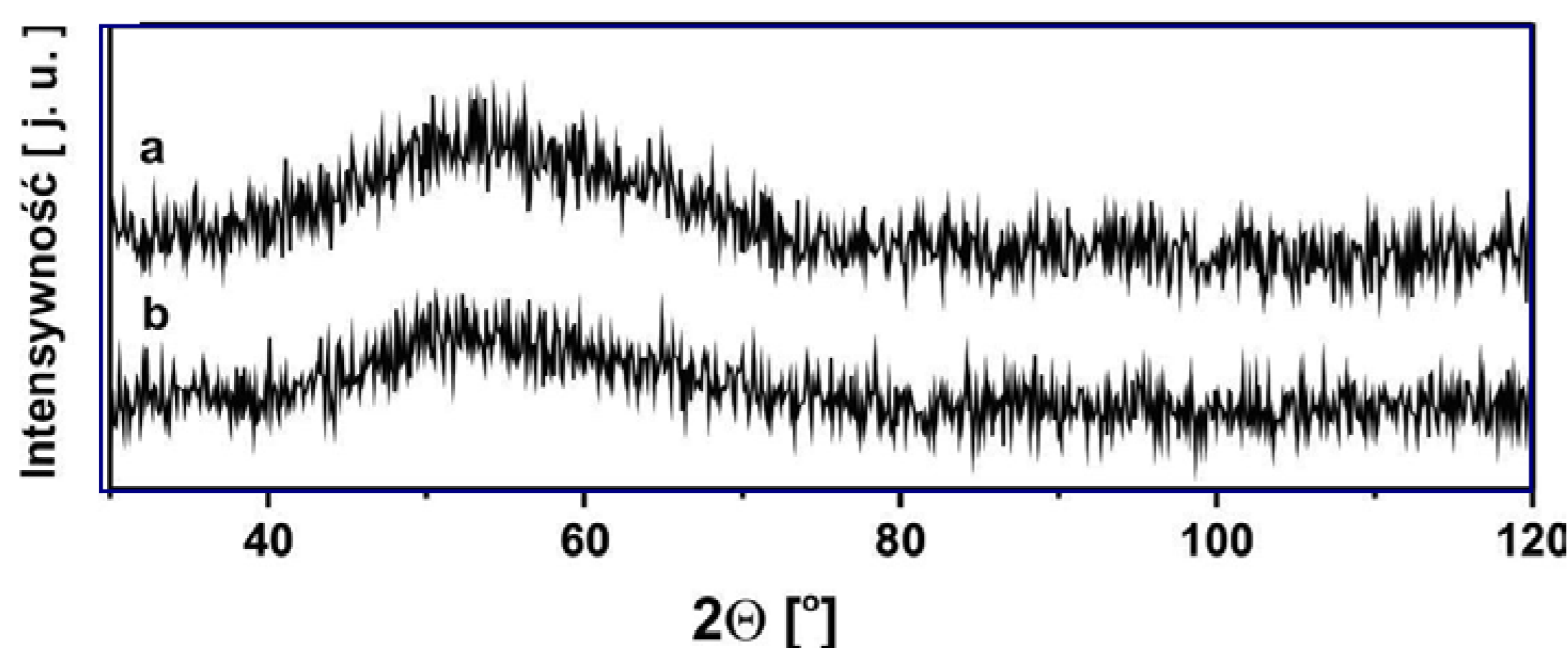
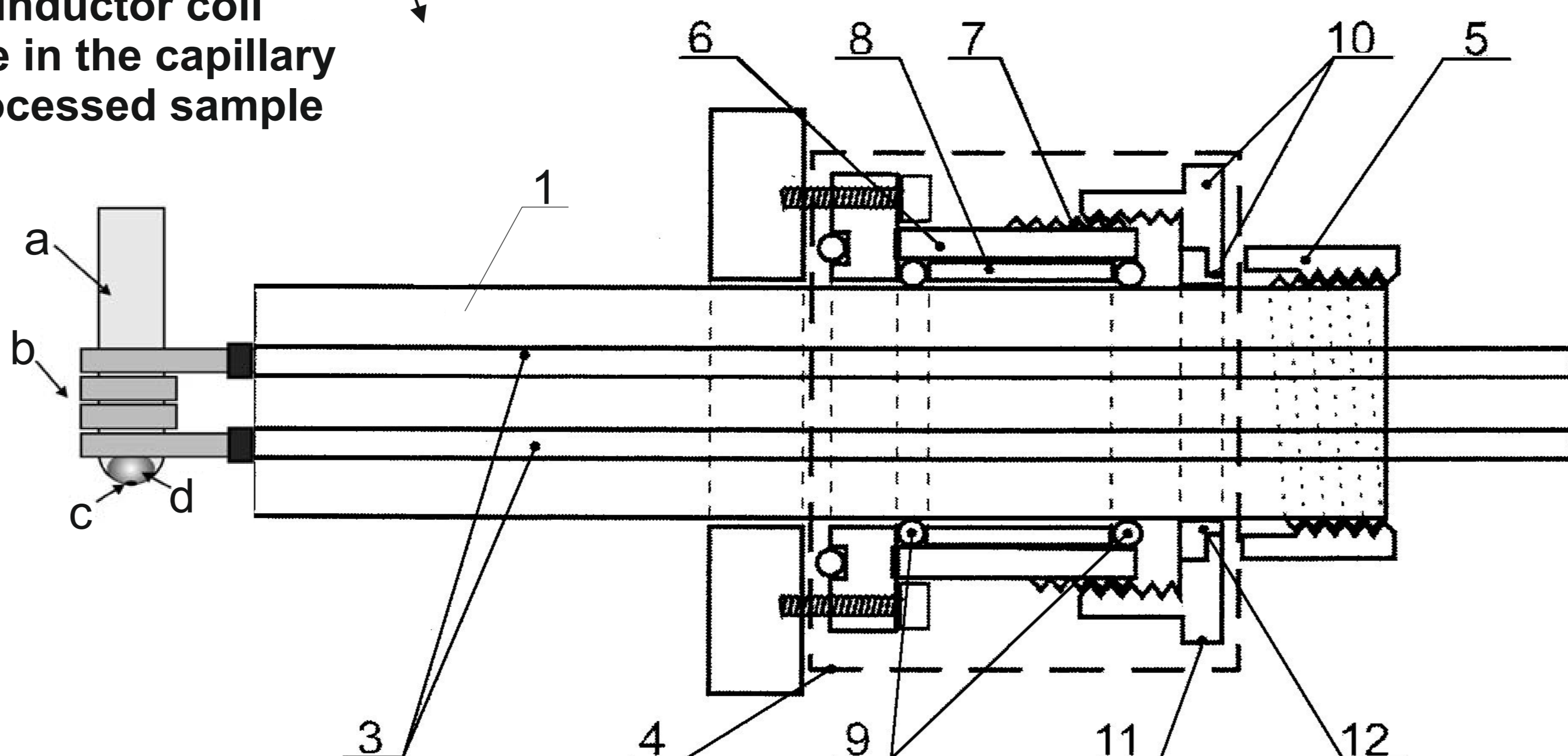
A unit for adjusting location of the induction furnace heating element



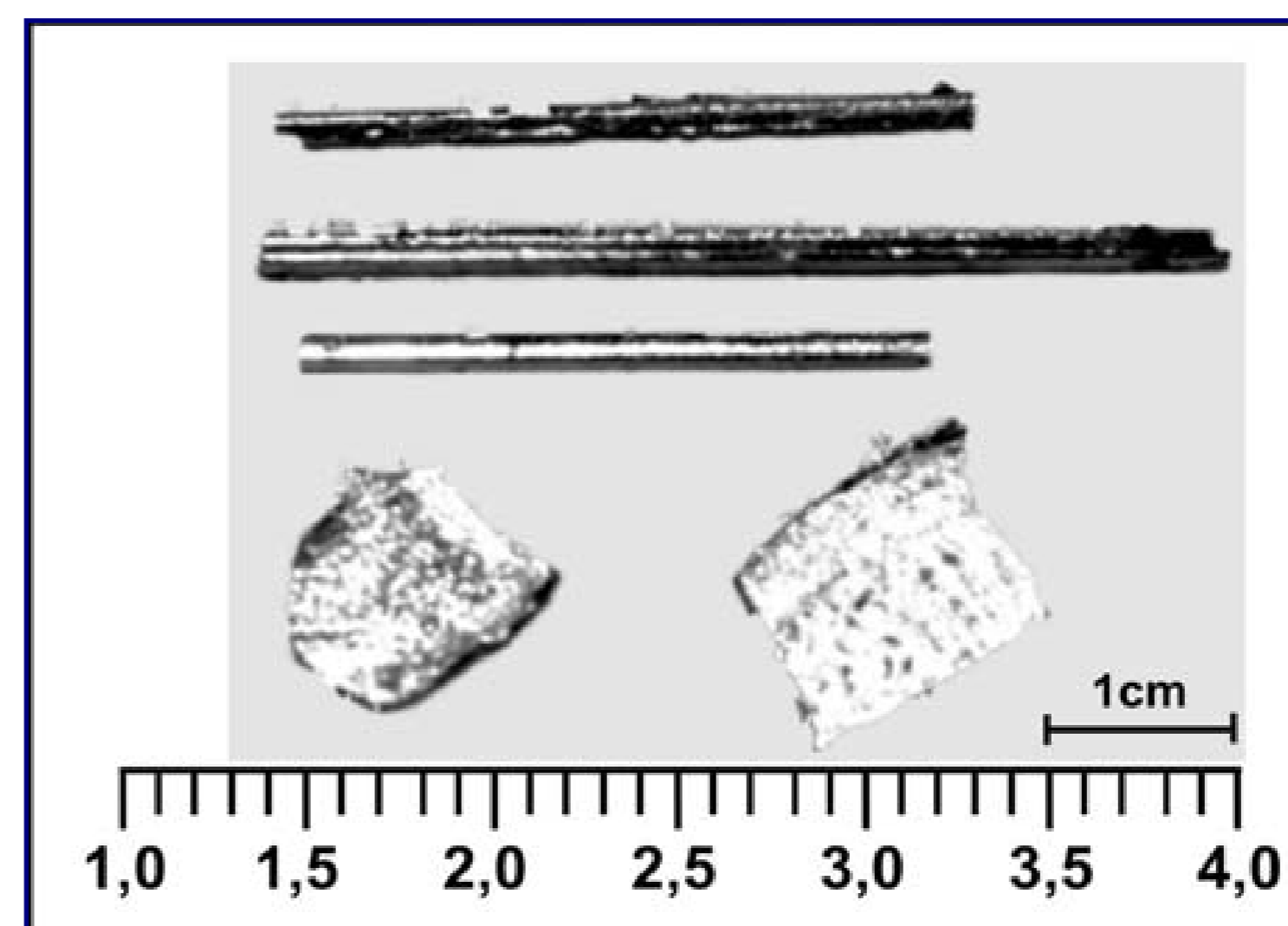
Melting device for quickly cooled materials with the applied solutions

a - quartz capillary
b - inductor coil
c - hole in the capillary
d - processed sample

Patent:228009/ 414960



X ray diffraction patterns for produced materials



Amorphous samples prepared using patented handle